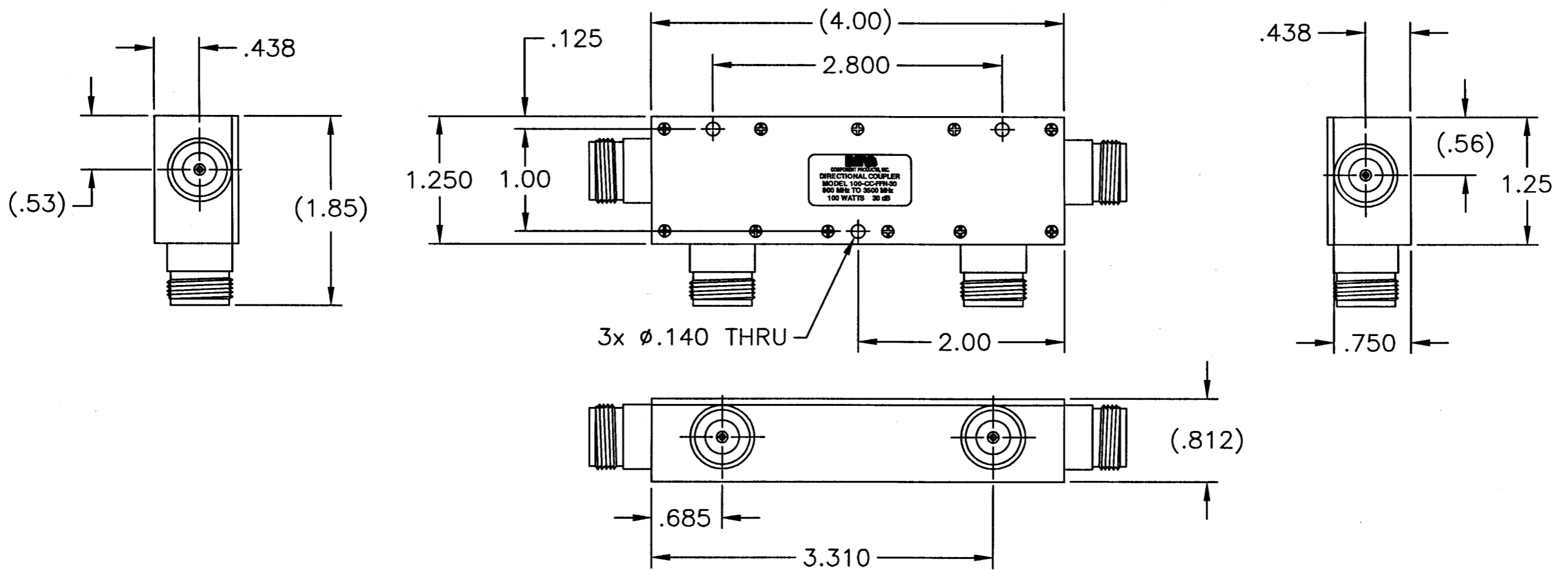


DWG NO. 100-CC-FFN-30 SHEET 1 REV A

SPECIFICATIONS:
 FREQUENCY RANGE: 800 MHz TO 3500 MHz
 COUPLING: 30dB
 DIRECTIVITY: 18dB MIN.
 INSERTION LOSS: .3dB MAX.
 VSWR: 1.20:1 MAX.
 FREQUENCY SENSITIVITY: ± 1.0dB MAX.
 INPUT POWER: 100 WATTS
 CONNECTORS: N-TYPE FEMALE, TRI-ALLOY PLATED
 WEIGHT: APPROX. 8 OZ.

REVISIONS				
ZONE	REV	DESCRIPTION	DATE	APPROVED
	A	CONVERT TO BEC FORMAT	DMR 2-21-03	<i>MRV</i>



NOTES:

- ☒ 1. PART MUST BE BURR FREE.
- ☒ 2. CHAMFER 1st THREAD.
- ☒ 3. 63 MICROINCH UNLESS OTHERWISE SPECIFIED.
- ☐ 4. PER BPS _____.
- ☒ 5. .005 RADIUS ON ALL INSIDE & OUTSIDE CORNERS UNLESS OTHERWISE SPECIFIED.

UNLESS OTHERWISE SPECIFIED DIMENSIONS ARE IN INCHES TOLERANCES ARE:	MILLIMETERS
FRACTIONS ± 1/64	X = ± .4
DECIMALS .XX = ± .010	.XX = ± .12
ANGLES ± 30°	
.XXX = ± .005	
DO NOT SCALE DRAWING	

THIS DRAWING IS THE PROPERTY OF THE BIRD ELECTRONIC CORPORATION. THE DESIGNS AND SPECIFICATIONS DISCLOSED HEREON ARE PROPRIETARY AND SHALL NOT BE REPRODUCED, NOR COPIED, NOR USED AS THE BASIS FOR THE MANUFACTURE OR SALE OF APPARATUS OR DEVICES WITHOUT THEIR EXPRESS WRITTEN CONSENT.



MATERIAL	APPROVALS	DATE	TITLE	
FINISH	D.M.RINK	2-21-03	COUPLER, DIRECTIONAL, N-TYPE FEMALE 800-3500 MHz, 30dB, 100W	
	CHECKED		SIZE	FSCM NO.
	APPROVED <i>W/AC</i>	10-29-03	B	70998
		AUTOCAD	DWG. NO.	REV
			100-CC-FFN-30	A
			SCALE	1:1
			COMM CODE	CU1
			SHEET	1 OF 1